

Cover Rx™

Premium Hot Tub Cover Lifter

 COVERVALET™



Please read the following before assembling or installing this product.

- The Cover Rx requires at least 18 inches of clearance on the side of the spa where the cover will stow.
- The undermount feature of the Cover Rx is designed to work only for spas that sit on hardscape such as concrete, asphalt or decking. Installing it on spas sitting on dirt, gravel, grass, etc. could void the warranty.
- The hardscape on the side of the spa where the Cover Rx will be installed should extend at least 5” beyond the edge of the spa to ensure the lifter will be fully supported.
- The spa must be drained to install the undermount base correctly. Attempting to wedge or force the base under a full spa could damage the product and void the warranty.
- This product should not be used with “waterlogged” spa covers. Excessively old or saturated covers can be multiple times their original weight, which can cause the product to fail and void the warranty.

**If you are in doubt or have any questions, please call
or email before installing this product.**

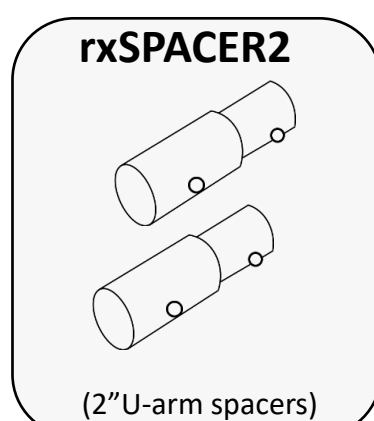
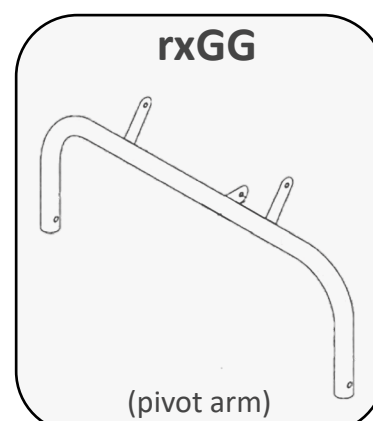
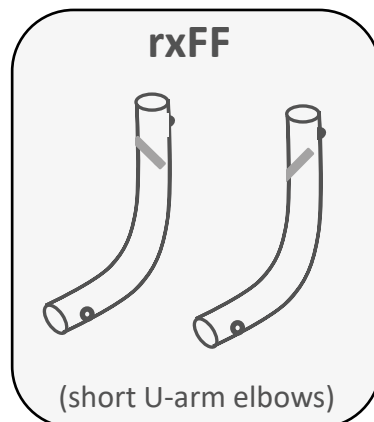
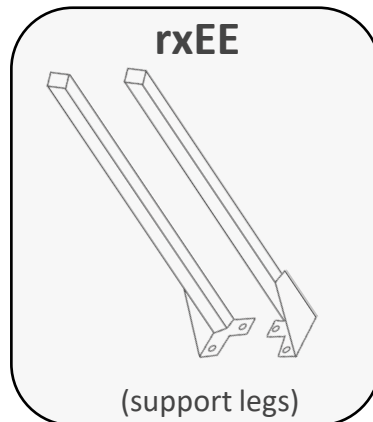
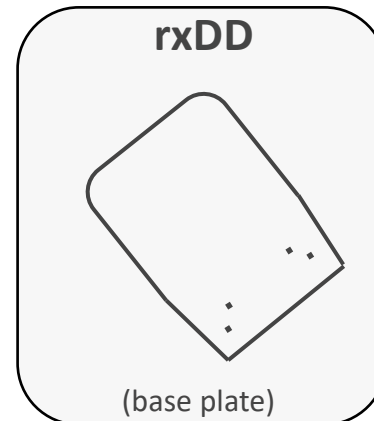
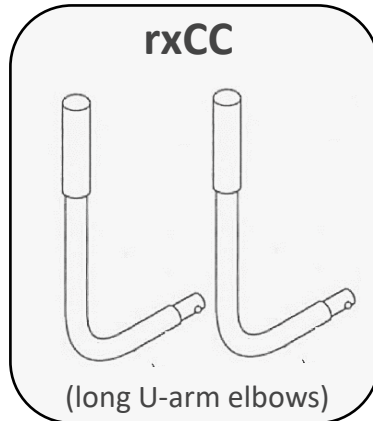
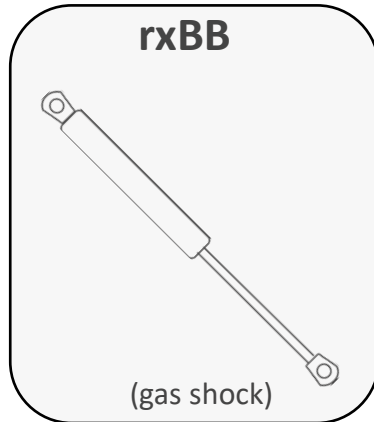
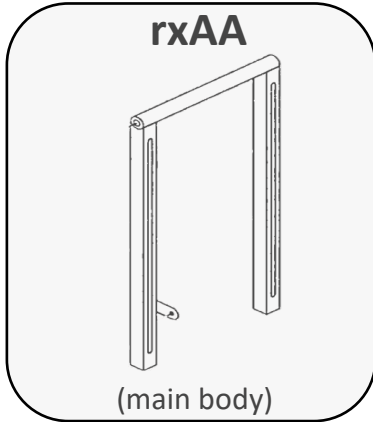
(800) 730-7727

customer@covervalet.com

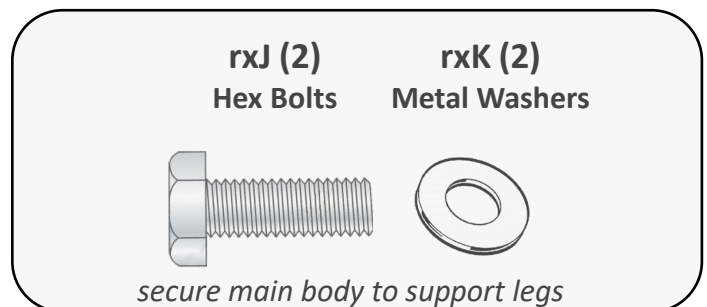
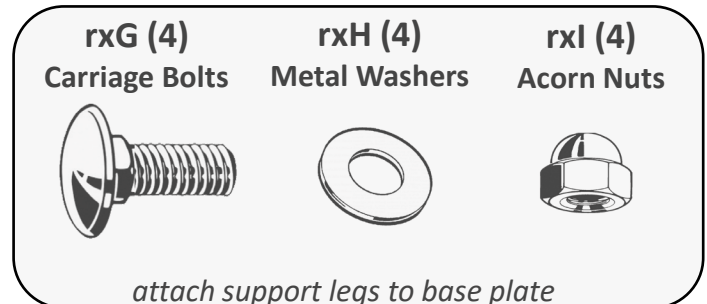
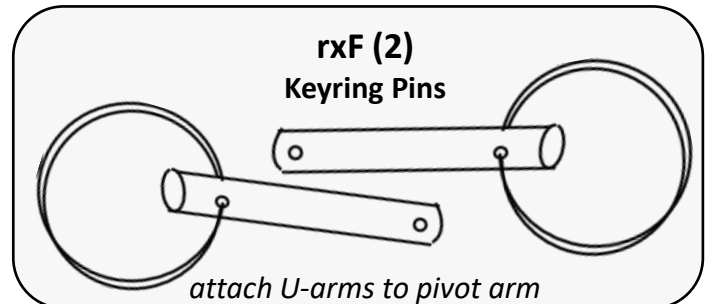
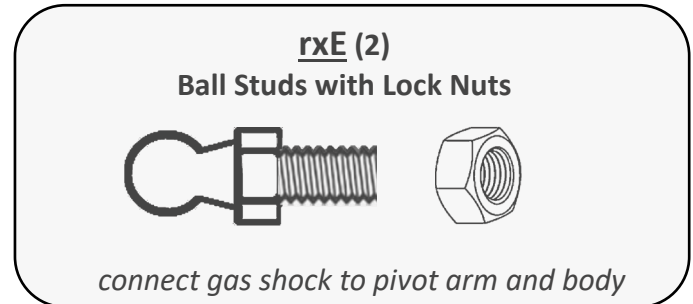
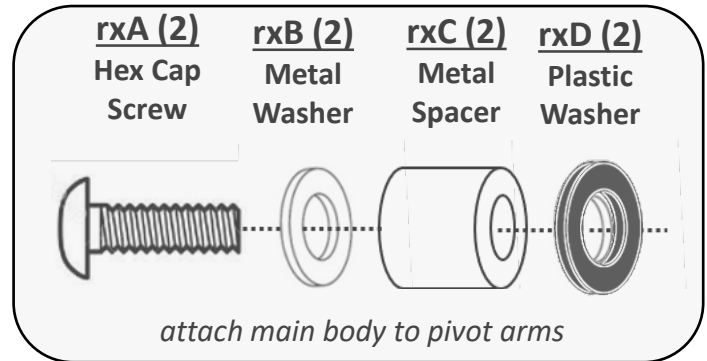
Cover Rx Parts and Hardware

Please begin by inspecting the contents of this box and ensuring that all of the parts below are included

Components



Hardware

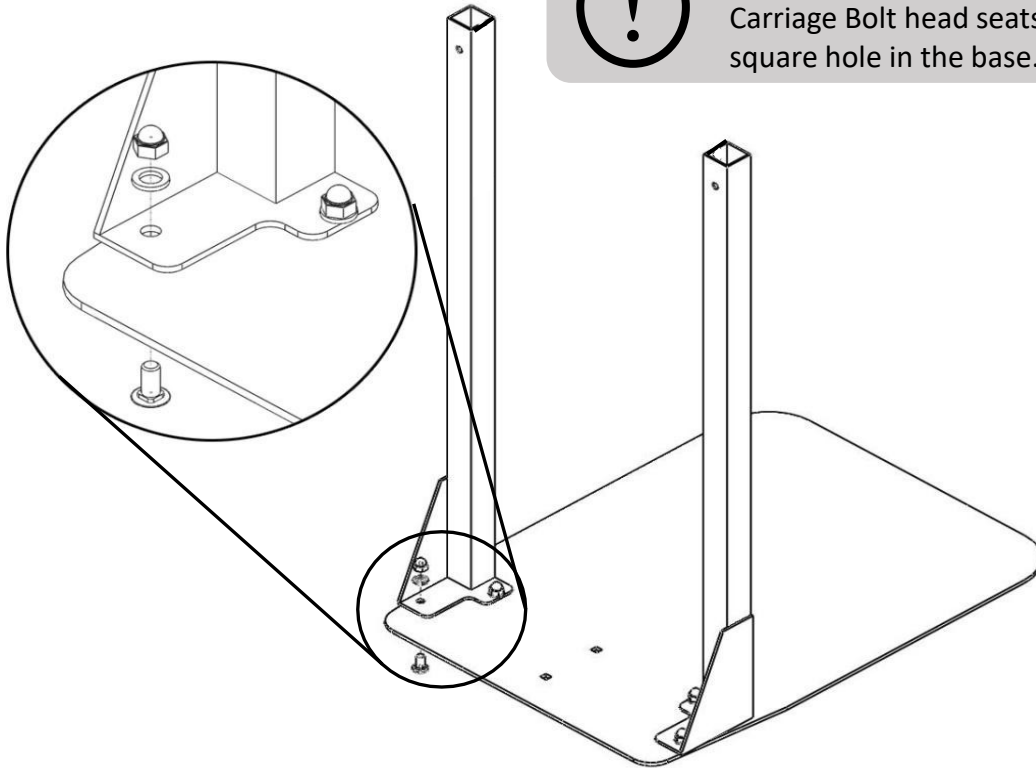


1

Attach Base Plate **rxDD** to Support Legs **rxEE** using four Carriage Bolts, Washers and Acorn Nuts.

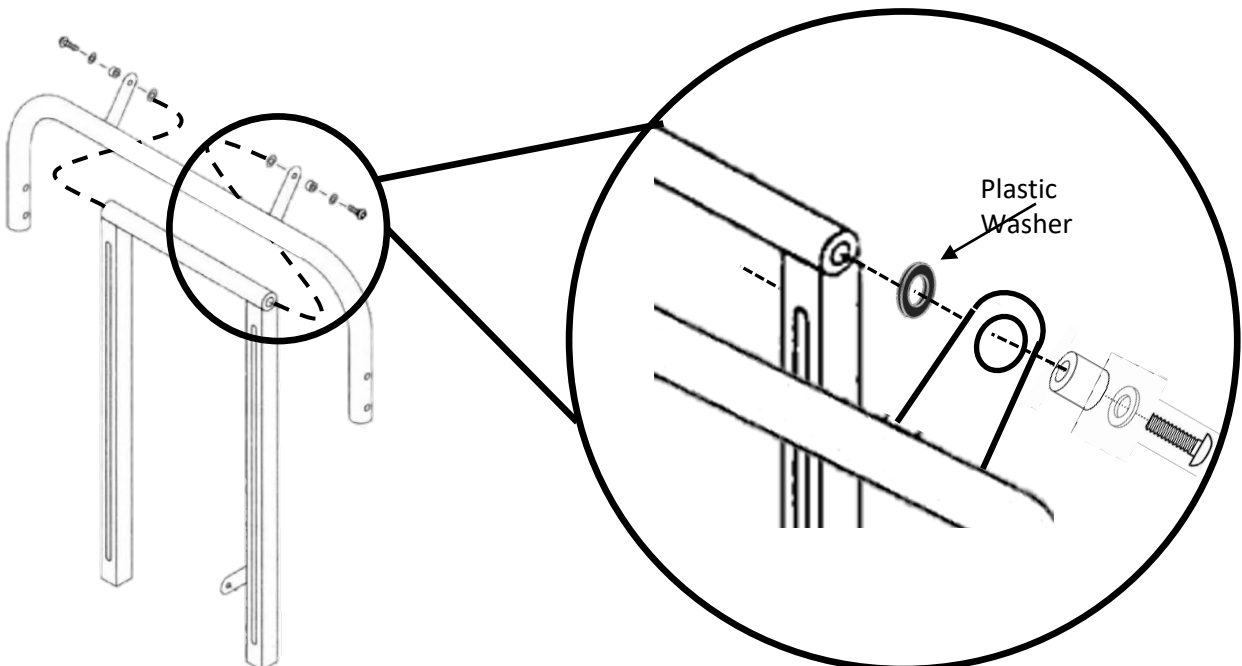


Make sure the square part of the Carriage Bolt head seats into the square hole in the base.



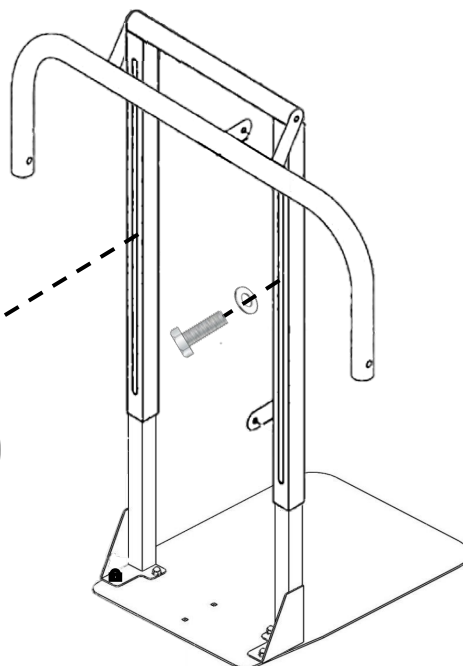
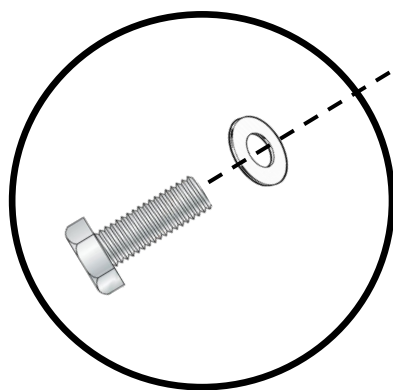
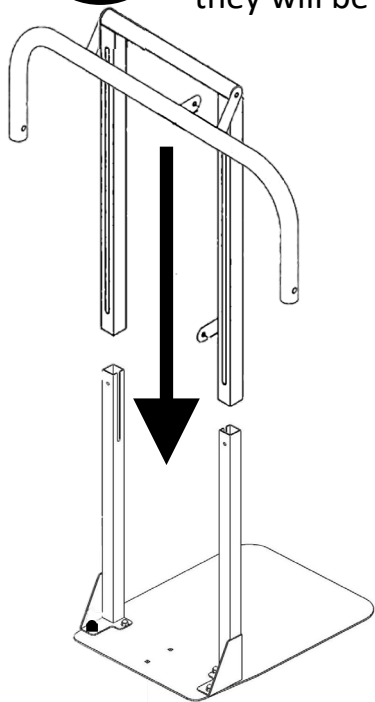
2

Attach Pivot Arm **rxGG** to Main Body **rxEE**. On each side, insert Hex Cap Screw **rxA** through the Metal Washer **rxB** and Metal Spacer **rxC**. Insert into the Pivot Arm Tab (the spacer will fit into the hole in the tab), then through the plastic washer and into the threaded hole in the main body.



3

Slide Main Body over Support Legs. Thread Hex Bolts **rxJ** and Washers **rxK** into the threaded holes near the top of the legs. Leave the bolts loose for now – they will be tightened later when adjusting for the spa’s height.

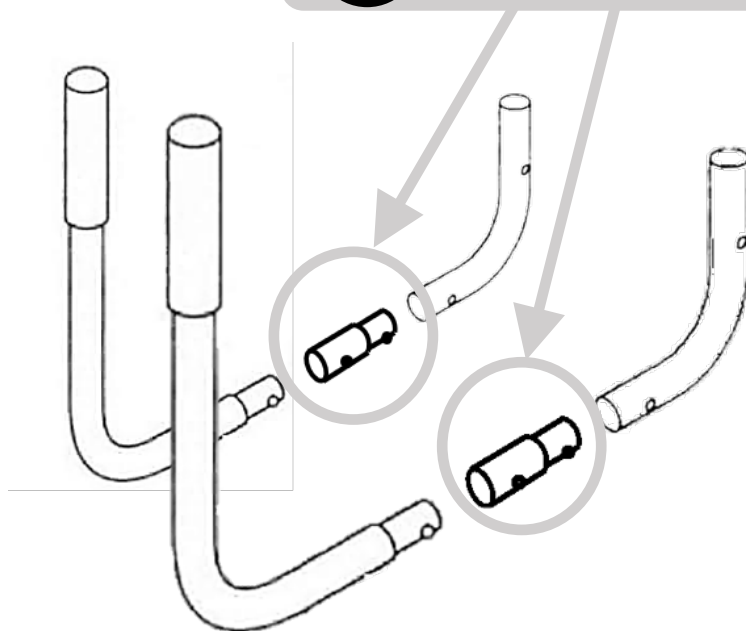


4

Assemble the U-arms as shown with Long Elbows **rxCC**, Short Elbows **rxFF** and (only if necessary) spacers **rxSPACER2**. Insert the parts so that the spring buttons click into their respective holes.



Use Spacers **rxSPACER2** only if necessary to accommodate the thickness of your folded cover.

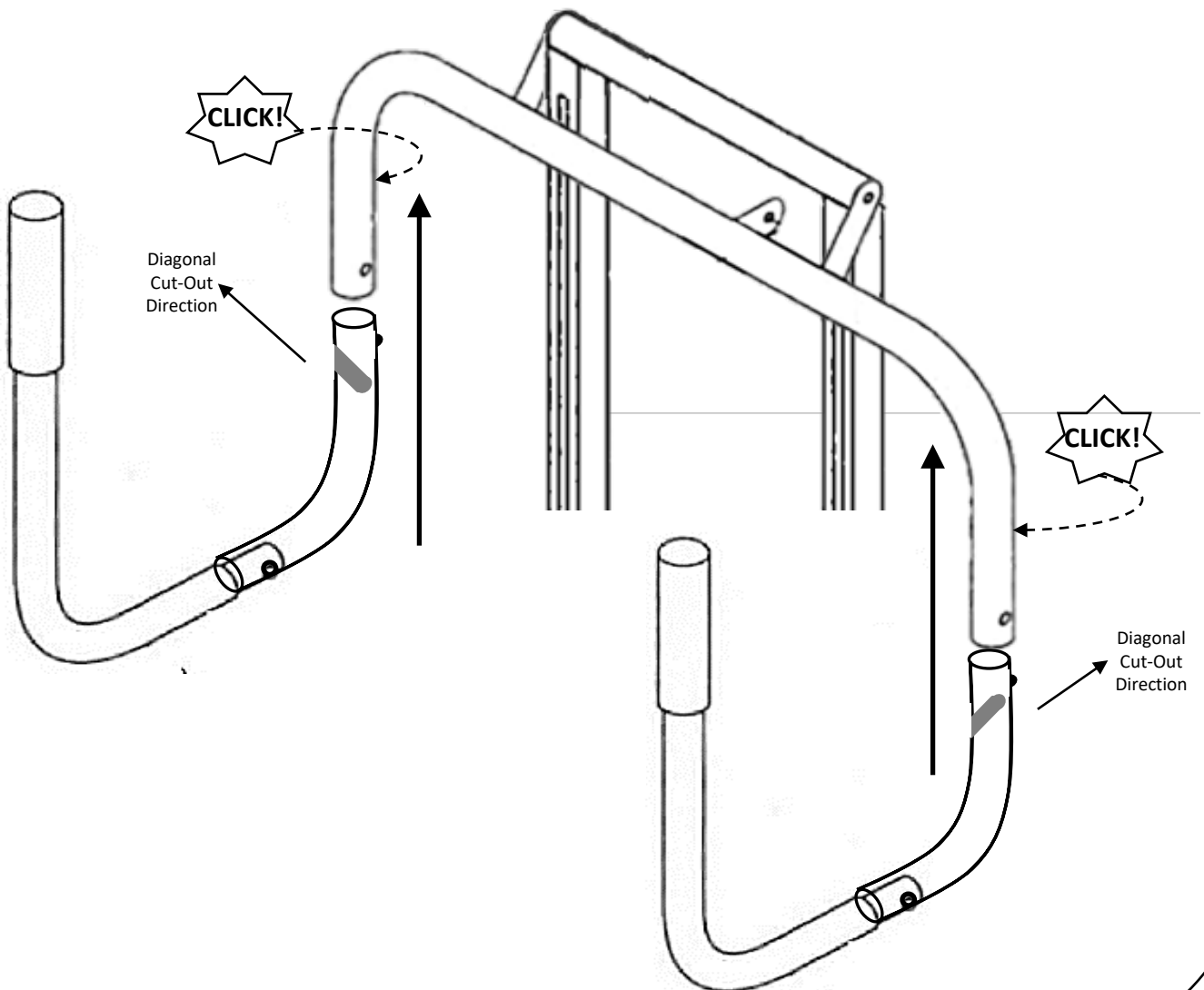


5

Insert the U-Arms into the Pivot Arm. Depress the spring button when inserting and ensure that it clicks in the hole on the back of the Pivot Arm (not the side).

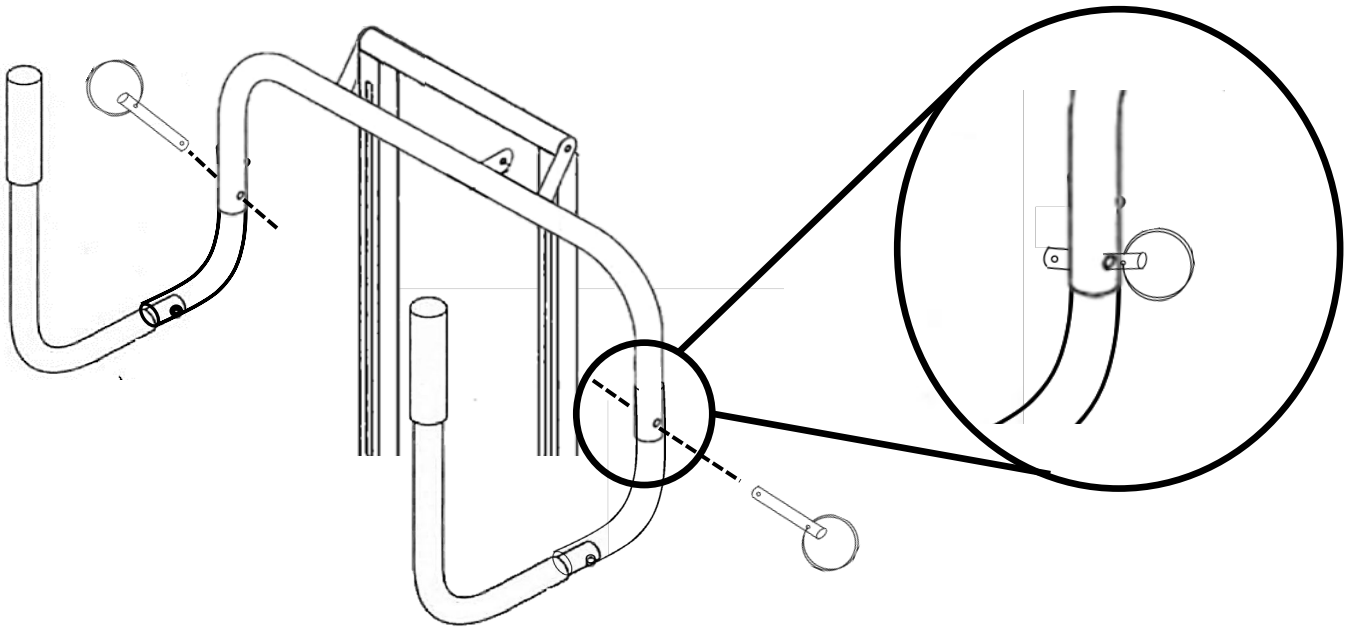


NOTE: The U-Arms are differentiated by the direction of the diagonal cut-out in each one. The typical installation will have the diagonal cut-out pointing upward and outward. (This allows the arms to stow inward when not in use – if you prefer stowing the arms outward, reverse the right and left U-Arms.)



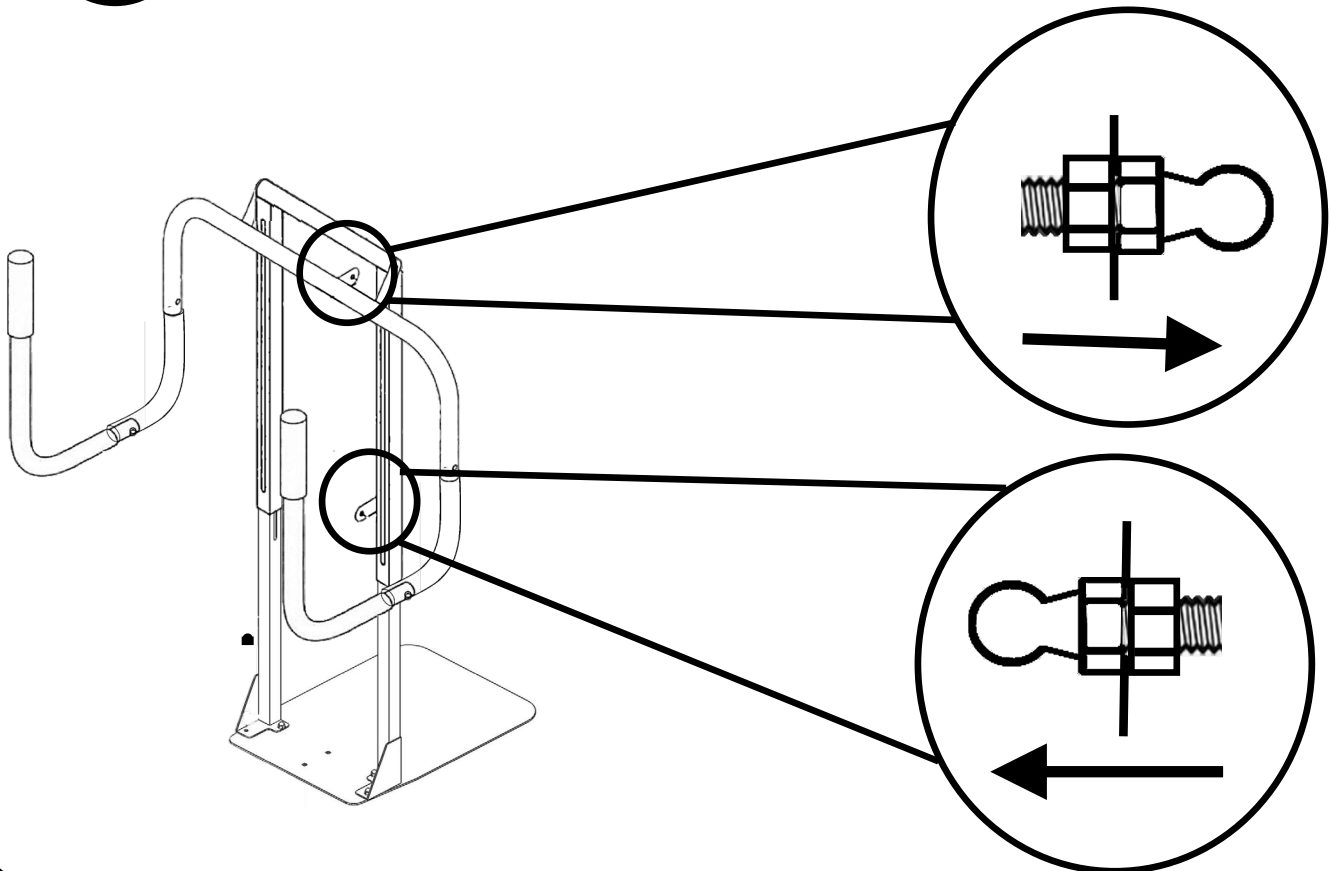
6

Insert Keyring Pins **rxF** into holes on the side of the Pivot Arm. The pins will go through the Diagonal Cut-Outs in the U-Arm, and out the other side of the Pivot Arm.



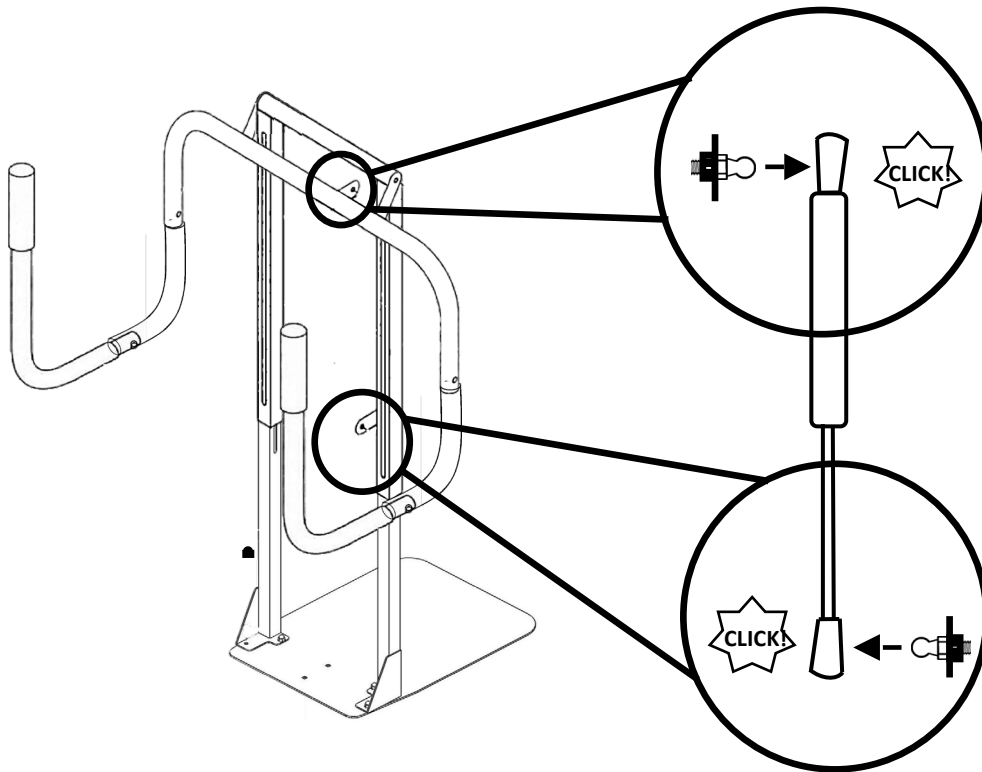
7

Attach Ball Studs **rxE** to tabs on the Pivot Arm and Main Body. The balls will face opposite directions.



8

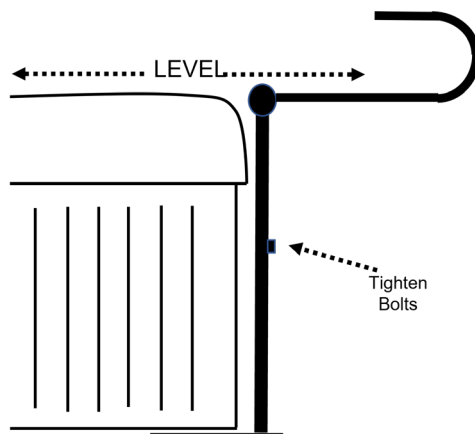
Attach each end of the Gas Shock **rxBB** to one of the ball studs. The balls will click into the fitting at the end of the shock. (If you ever need to release the ball, it can be done by gently prying the metal at the back of the fitting with a small flat screwdriver.)



9

Install and Adjust

1. Move the assembled unit to the edge of your empty spa and slide the base plate under the spa, leaving roughly $\frac{1}{2}$ inch of space between the Main Body and the side of the spa.
2. Adjust the height of the unit. With the U-Arms in the horizontal position, the lower part of the U-Arm should be flush with the top of your spa. Tighten the two height adjustment bolts.

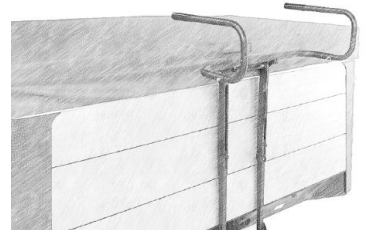
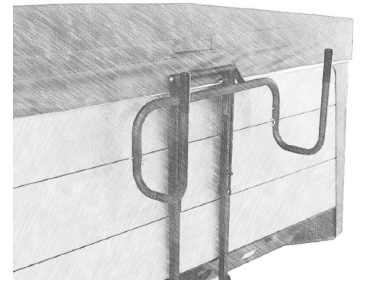


3. Ensure that all other screws and bolts are firmly tightened.
4. Fill your spa and ensure that the weight of the water is holding your Cover Rx firmly in place .

Using your Cover Rx

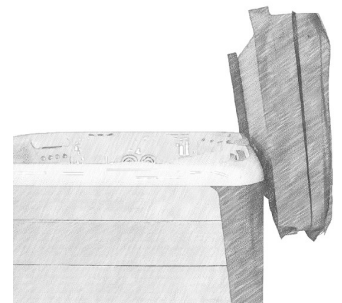
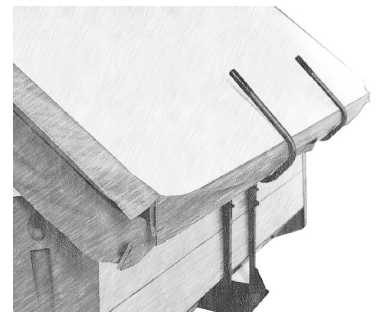
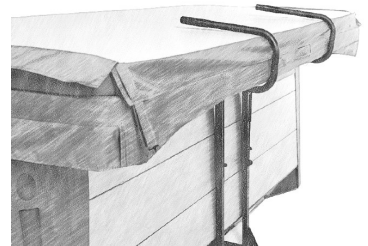
Preparing the lifter for use

- Rotate the U-Arms outward until they are perpendicular to the spa. The spring buttons will “click” into position.
- Swing the U-arms up into their raised (horizontal) position.



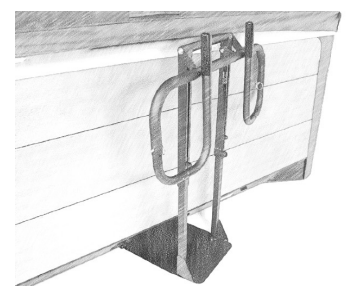
Using the lifter

- Starting on the side of the spa opposite the lifter, fold the spa cover in half along its center seam.
- Slide the folded spa cover across the top of the spa and into the U-Arms.
- Lift the seam side of the cover, which will swing both the cover and the lifter until they reach the vertical position.
- Reverse the instructions above to put the cover back onto the spa.



Stowing the lifter when not in use

- With the U-Arms in their lowered (vertical) position, depress the spring button which faces the spa and gently rotate the arm until it is flush with the spa. Repeat for the second U-Arm.



California Home Spas, Inc.

Cover Rx 5-Year Limited Warranty

Any Cover Rx shown to be unserviceable due to defects in materials or workmanship within 5 years from the date of purchase will have any affected parts repaired or replaced at the option of California Home Spas, Inc., without charge for materials. This warranty excludes any associated labor and freight costs.

EXCLUSIONS:

- A. This warranty does not cover damage incurred by use of the Cover Valet and/or the spa cover, other than in accordance with the printed literature provided by California Home Spas, Inc.
- B. Defects in components of any component that is not part of the Cover Valet.
- C. Misuse, abuse, negligence, accident, or alterations other than authorized by California Home Spas, Inc.
- D. Improper installation, normal fading and minor deterioration caused by exposure to the sun, rain, chemicals or environmental factors.
- E. Use of solvents, abrasive cleaners or brushes, and strong detergents.
- F. The Gas Shock has 1-year warranty.

Except as expressly provided, there shall be no additional Warranty obligation expressed or implied oral or statutory

ADDITIONS:

- A. California Home Spas, Inc. shall not be liable for consequential damages or incidental expenses resulting from any breach of the before mentioned warranties.
- B. This warranty gives you specific legal rights and you may have other rights which can vary in different states and countries.
- C. Any dispute between the Buyer and California Home Spas, Inc. pertaining to this warranty may, at the option of the Buyer, be resolved in the State of California, USA, in accordance with the rules of the American Arbitration Association.
- D. Should any one or more of the terms, provisions, covenants, or conditions of this warranty be determined void, invalid, illegal, or unlawful in any respect, then it shall be so, however it will not affect any of the other terms or provisions of this warranty and the remainder hereof shall still be in effect.

COVER VALET WARRANTY REGISTRATION FORM

Complete and return within (10) days of purchase. Please type or print clearly. Incomplete and/or unreadable forms may not be registered. You can also register your warranty online at www.covervalet.com

Name: _____

Address: _____

Phone Number: _____

E-Mail Address: _____

Date of Purchase: _____ Dealer's Name: _____

How did you hear about us? Dealer Home Show Magazine Showroom Display
 Website _____ Word of Mouth TV

For more information, please contact Cover Valet:

Toll free: 1-800-730-7727

International: (001) (562) 283-0595

E-mail: Questions@covervalet.com